

LED Bar Clamp -BK01

Universal 1.5"-2.5" adjustable CLAMP



1 Diameter Tube

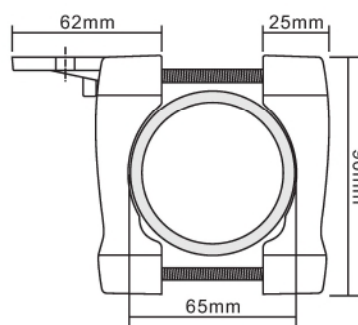
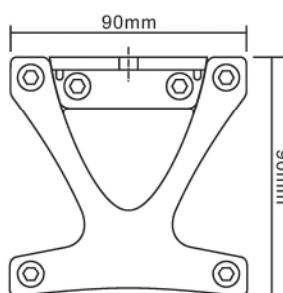


2 Mounting Aperture



3 Housing Material

Dimensions (mm)



Technical Data:

1. Diameter Tube:

1.5"/2.0"/2.5"

2. Mounting Aperture:

10.5mm

3. Housing Material:

Aluminium Alloy ADC12

