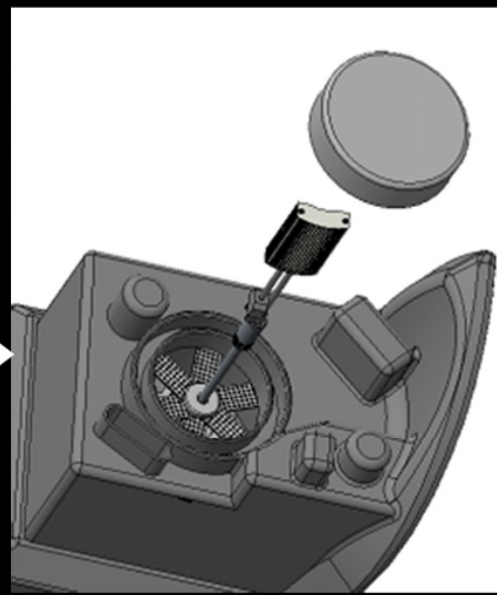
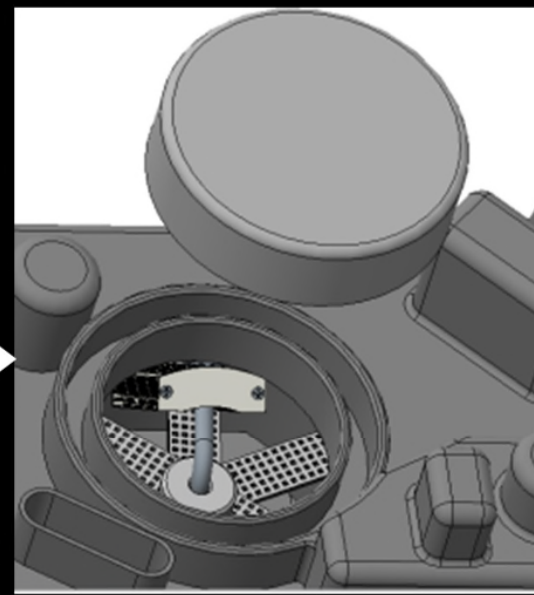


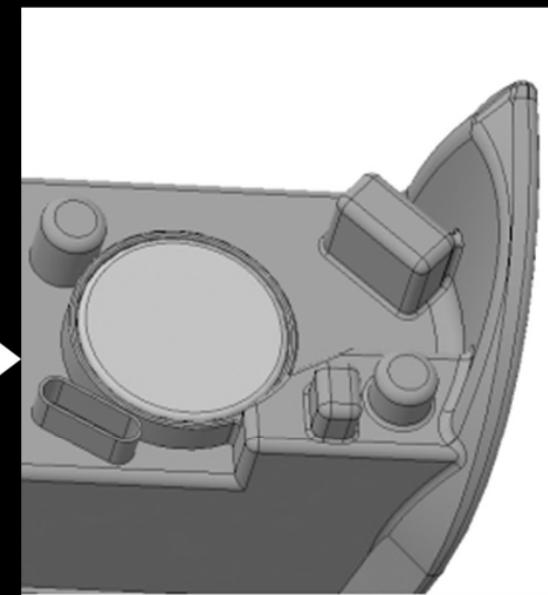
1. Install buckle



2. Put 6 claws copper strip inside



3. Insert driver to car lamp housing



4. Put on the dust cover