

LAND ROVER DEFENDER 90/110

No.: 3128.1/6 Steering

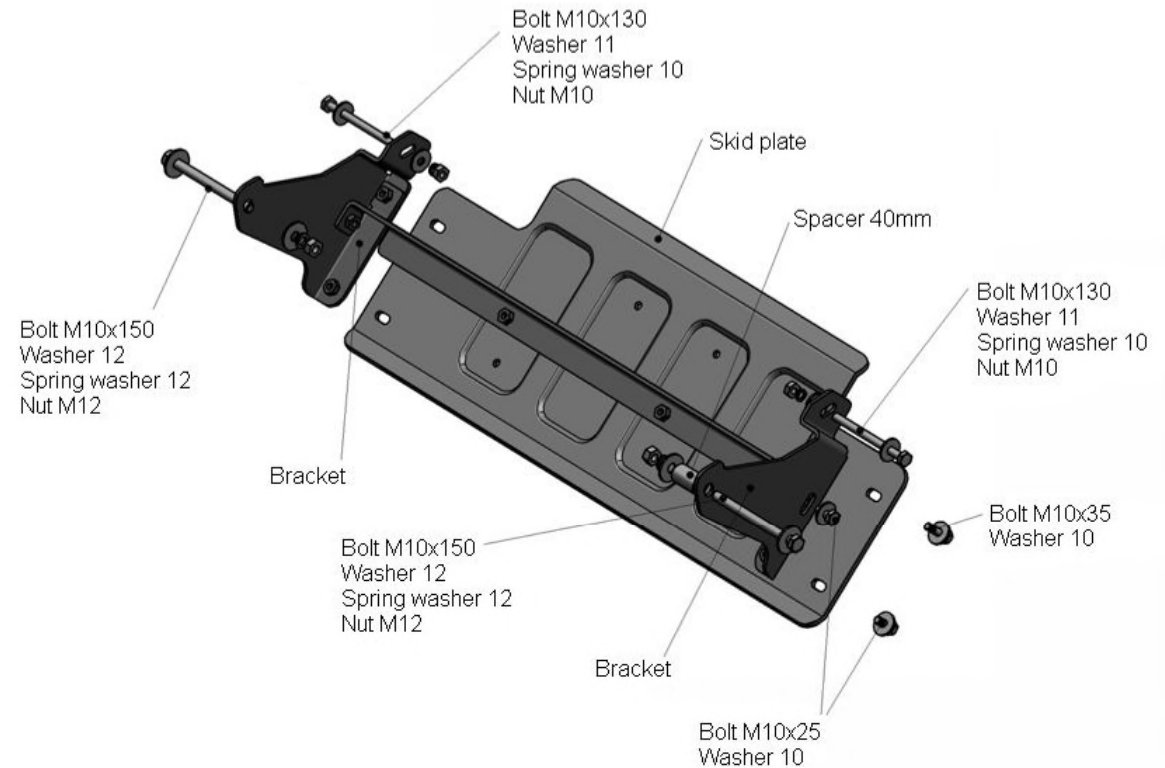
Year: 2007-2016

Engine: 2.2TD

Transmission: MT

FITTING KIT

1. Bolt M10x25.....	6 pc
2. Bolt M10x35.....	2 pc
3. Bolt M10x130.....	2 pc
4. Bolt M12x150.....	2 pc
5. Nut M10.....	2 pc
6. Nut M12.....	2 pc
7. Spacer 40mm.....	1 pc
8. Bracket.....	2 pc
9. Washer 10.....	12 pc
10. Washer 12.....	4 pc
11. Spring washer 10.....	2 pc
12. Spring washer 12.....	2 pc



INSTALLATION INSTRUCTIONS

1. Remove original fittings of towing points.
2. Remove lower fittings of cross rod.
3. Mount brackets. Fix front fitting of right bracket together with towing hook with bolt M10x130 and nut M10. Fix rear fitting through lower fitting of cross rod bracket with bolt M12x150 and nut M12. Do not tighten.
4. Mount front fitting of left bracket same way as right one. Fix rear fitting to lower original point with bolt M12x150, nut M12, spacer 40mm.
5. Mount cross bar to installed brackets with bolts M10x25 through side holes in brackets. Do not tighten.
6. Install skid plate. Fix its center part to cross bar with bolts M10x25, then fix its sides to brackets with bolts M10x25 and M10x35.
7. Tighten all screws (50 Nm for M10, 30 Nm for M8, 10 Nm for M6). Do not use pneumatic or power tools to tighten.