

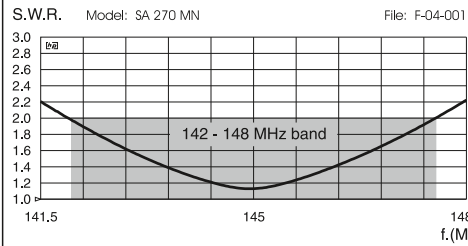
SA 270 MN

Fiberglass Hi-Gain Dual Band Antenna for 2m & 70cm bands

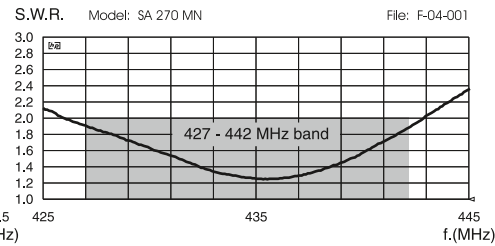


Installation Manual

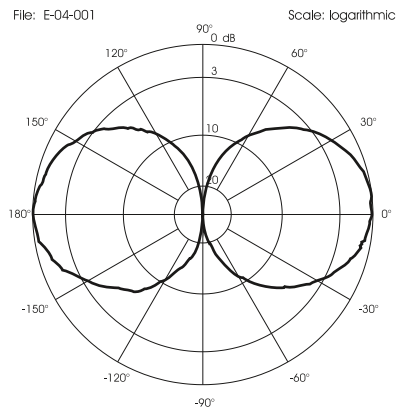
TYPICAL S.W.R. RESPONSE



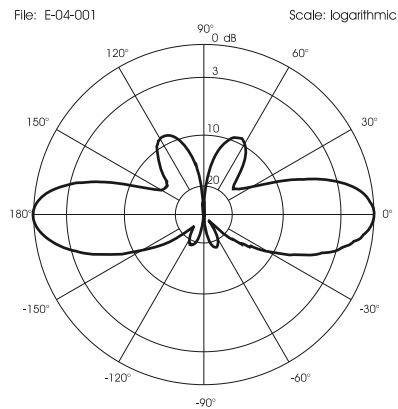
TYPICAL S.W.R. RESPONSE



TYPICAL RADIATION PATTERN in E-plane at 145 MHz



TYPICAL RADIATION PATTERN in E-plane at 435 MHz



DESCRIPTION

Ground Plane colinear dual-band antenna for base station service working on the radio-amateur frequency of 2m & 70cm. The whip is of brass inserted in a fiberglass tube for a perfect protection from the worst climates and its radials and hardware are of stainless steel to get the maximum strength. It is supplied with a solid aluminium bracket for an easy and safe installation to the support mast.

SPECIFICATIONS

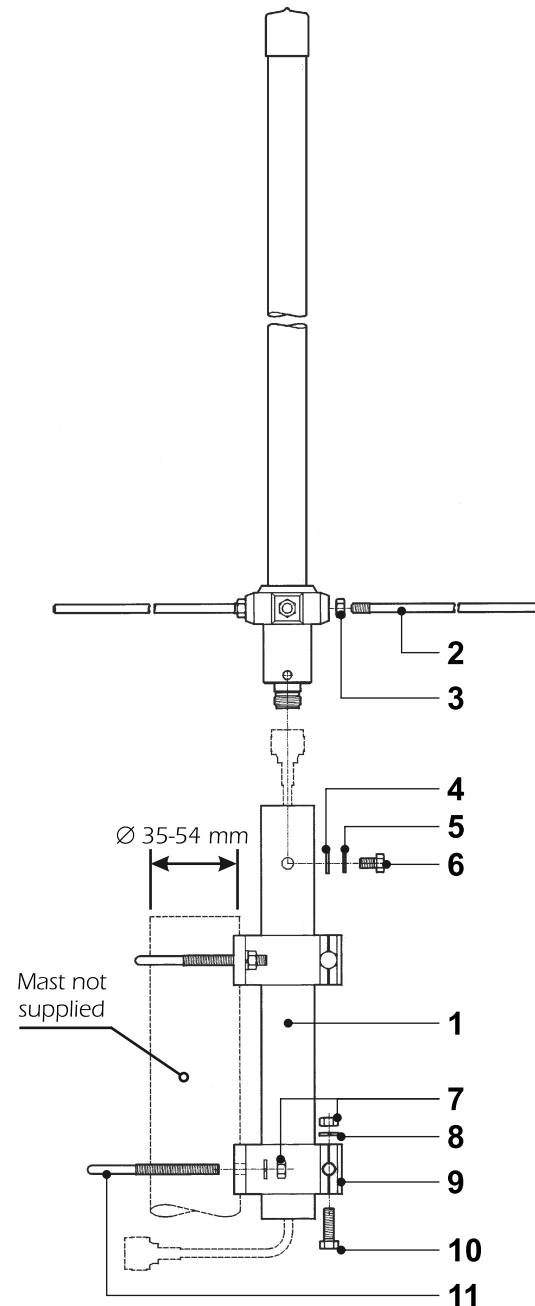
Electrical Data

Type : VHF 6/8 λ ; UHF 3 x 5/8 λ Colinear
 Frequency Range @ SWR ≤ 2 : VHF 142-148 MHz; UHF 427 - 442 MHz
 Impedance : 50 Ω
 Radiation (H-plane) : 360° Omnidirectional
 Radiation (E-plane) : Beamwidth @ -3 dB = VHF 61°; UHF 30°
 Radiation angle deg : VHF 0°; UHF 0°
 Polarization : Linear Vertical
 Gain : VHF 2 dBd - 4.15 dBi; UHF 4.2 dBd - 6.35 dBi
 Max Power : 200 Watts
 Grounding Protection : All metal parts are DC-grounded, the inner conductor is coupled capacitively
 Connector : N-female, Gold Plated central pin

Mechanical Data

Materials : Fiberglass, Stainless Steel, Chromed Brass, Aluminium
 Wind Load / Resistance : 55 N @ 150 Km/h / 180 km/h
 Wind Surface : 0.05 m²
 Height (approx.) : 1720 mm
 Weight (approx.) : 1030 gr
 Radial Length (approx.) : 170 mm
 Mounting Mast : \varnothing 35-54 mm

MOUNTING INSTRUCTIONS

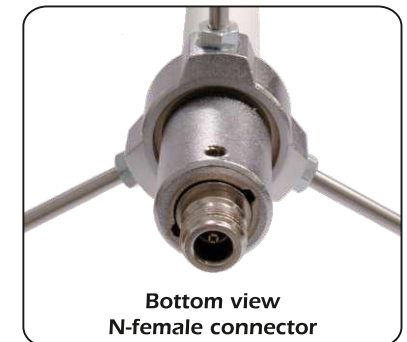


Part list		
Pos	Q.ty	Description
1	1	\varnothing 29x32x250mm alu. tube
2	3	170mm Stainless steel radials

Antenna Fixing Part list Re-order code: SA038		
Pos	Q.ty	Description
3	3	M6 Hexagonal nut
4	1	M6 washer
5	1	M6 Spring lock washer
6	1	M6x10 Hexagonal head screw

Fixing Bracket Part list Re-order code: SA104		
Pos	Q.ty	Description
7	6	M6 Hexagonal nut
8	6	M6 Spring lock washer
9	2	Extruded aluminium bracket
10	2	M6x20 Hexagonal head screw
11	2	M6x188 V-bolt

Mounting needed tools:
 10 mm open key



Bottom view
N-female connector