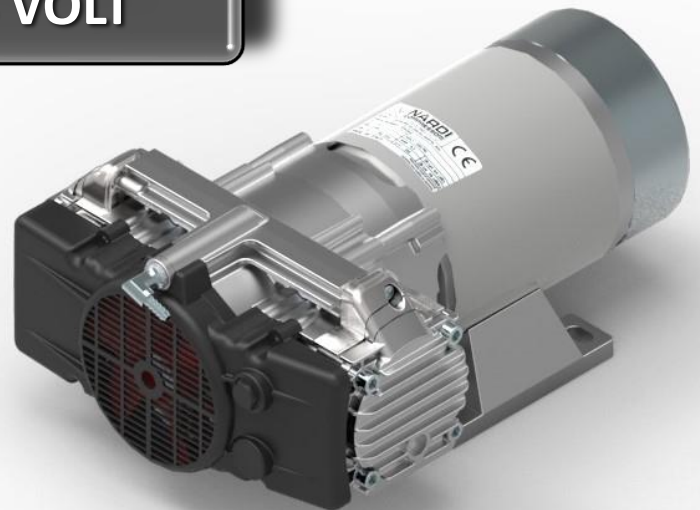
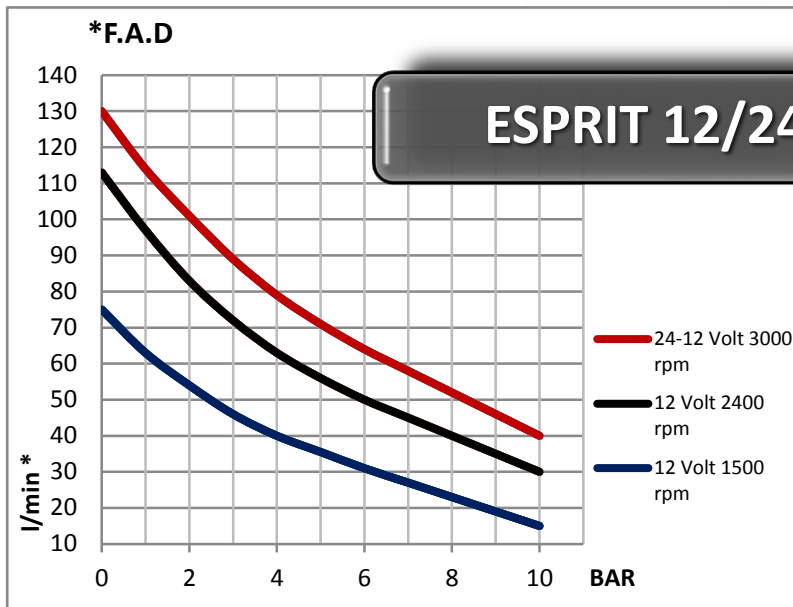
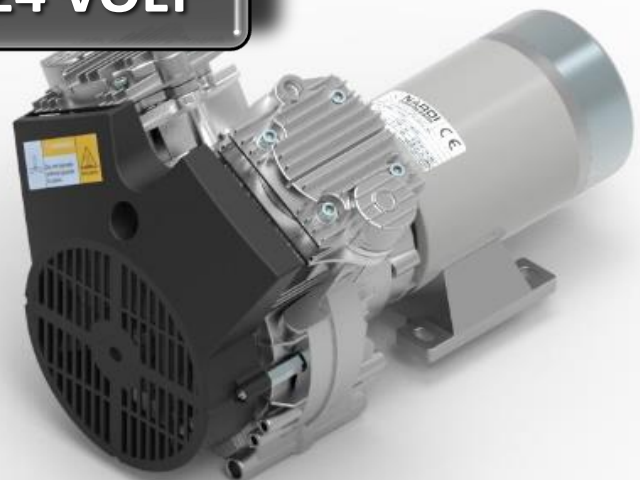
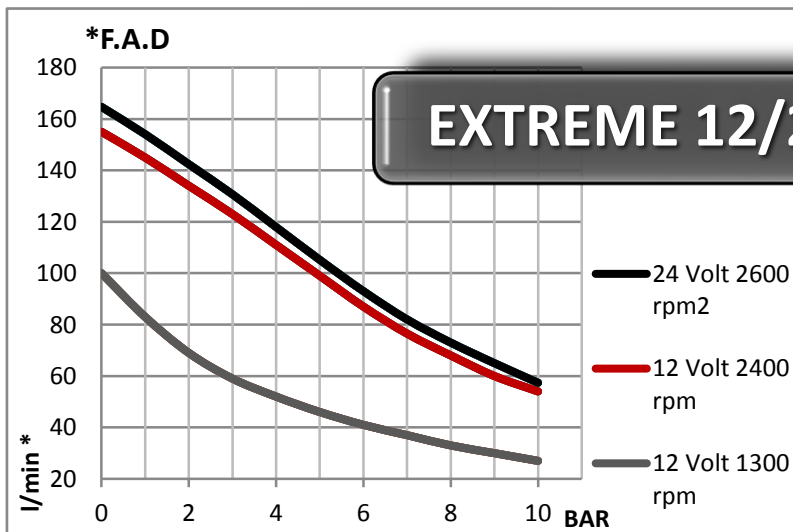


PUMP UNIT



Compressor Model	Cylinders	Air Intake	Max Pressure	Power	Phase	Revolution	Noise	Weight	Dimensions
Modello Compressore	Cilindri	Aria Aspirata	Pressione mass.	Motore	Fase	Giri	Rumore	Peso	Dimensioni
Type	N°	l/min. - C.F.M. - m ³ /h	Bar - Psi	HP - kW	Type	Rpm	dB	Kg - Lbs	cm (LxWxH)
ESPRIT 500W 12 VOLT	2	180 – 6,4 – 10,8 (12V)	10 – 145	500	CC	2400	50	7 – 15	28 x 22 x 14
ESPRIT 600W 12 VOLT	2	225 – 7,9 – 13,5 (12V)	10 – 145	600	CC	3000	52	8 – 18	32 x 22 x 14
ESPRIT 500W 24 VOLT	2	225 – 7,9 – 13,5 (24V) 112 – 3,9 – 6,7 (12V)	10 – 145	500	CC	3000 1500	52	8 – 18	32 x 22 x 14



Compressor Model	Cylinders	Air Intake	Max Pressure	Power	Phase	Revolution	Noise	Weight	Dimensions
Modello Compressore	Cilindri	Aria Aspirata	Pressione mass.	Motore	Fase	Giri	Rumore	Peso	Dimensioni
Type	N°	l/min. - C.F.M. - m ³ /h	Bar - Psi	HP - kW	Type	Rpm	dB	Kg - Lbs	cm (LxWxH)
EXTREME 12 VOLT	2	260 – 8,4 – 14 (12V)	10 – 145	800	CC	2400	72	13 – 29	29 x 22 x 14
EXTREME 24 VOLT	2	280 – 8,4 – 14 (24V) 140 – 4,2 – 7 (12V)	10 – 145	800	CC	2600 1300	80	13 – 29	29 x 22 x 14