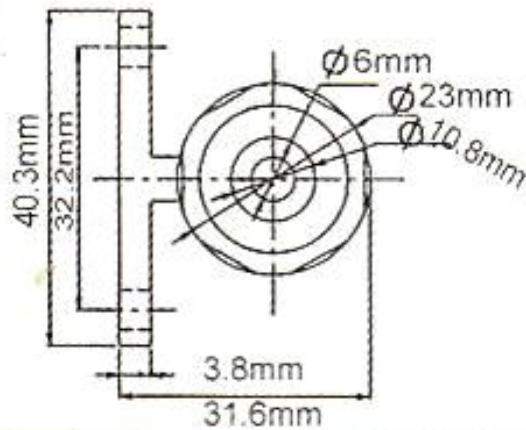
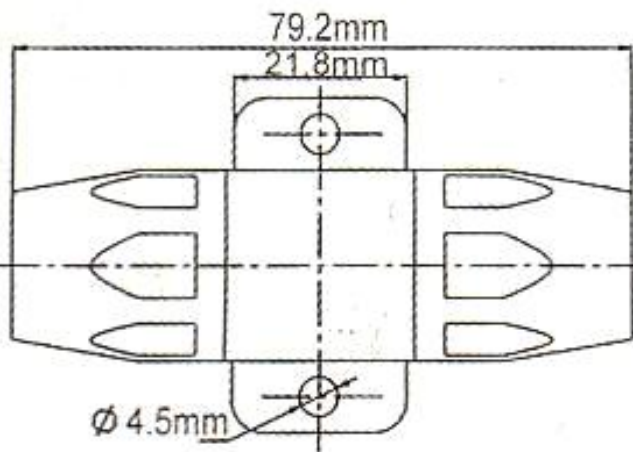


AGU FUSE HOLDER

Materials: PC / Copper Alloy

Applicable: For AGU Fuse 10A ~ 80A



Meets SAE J554

Voltage Rating: 32 VDC

Materials:

1. Brass with gold finished
2. Zinc alloy strip
3. Glass tube

