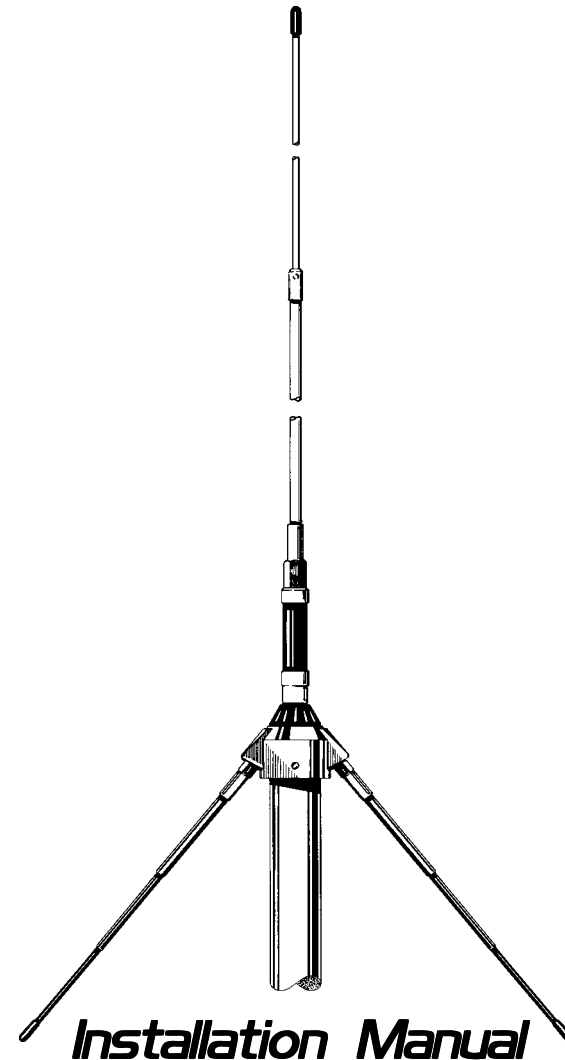


SIGNAL KEEPER

Ground Plane Base Station Antenna

WARNING

INSTALLATION OF THIS PRODUCT NEAR POWER LINES IS DANGEROUS. FOR YOUR SAFETY AND BEFORE YOU BEGIN INSTALLATION, READ THE SEPARATE SAFETY INFORMATION SHEET.



Installation Manual

SPECIFICATIONS

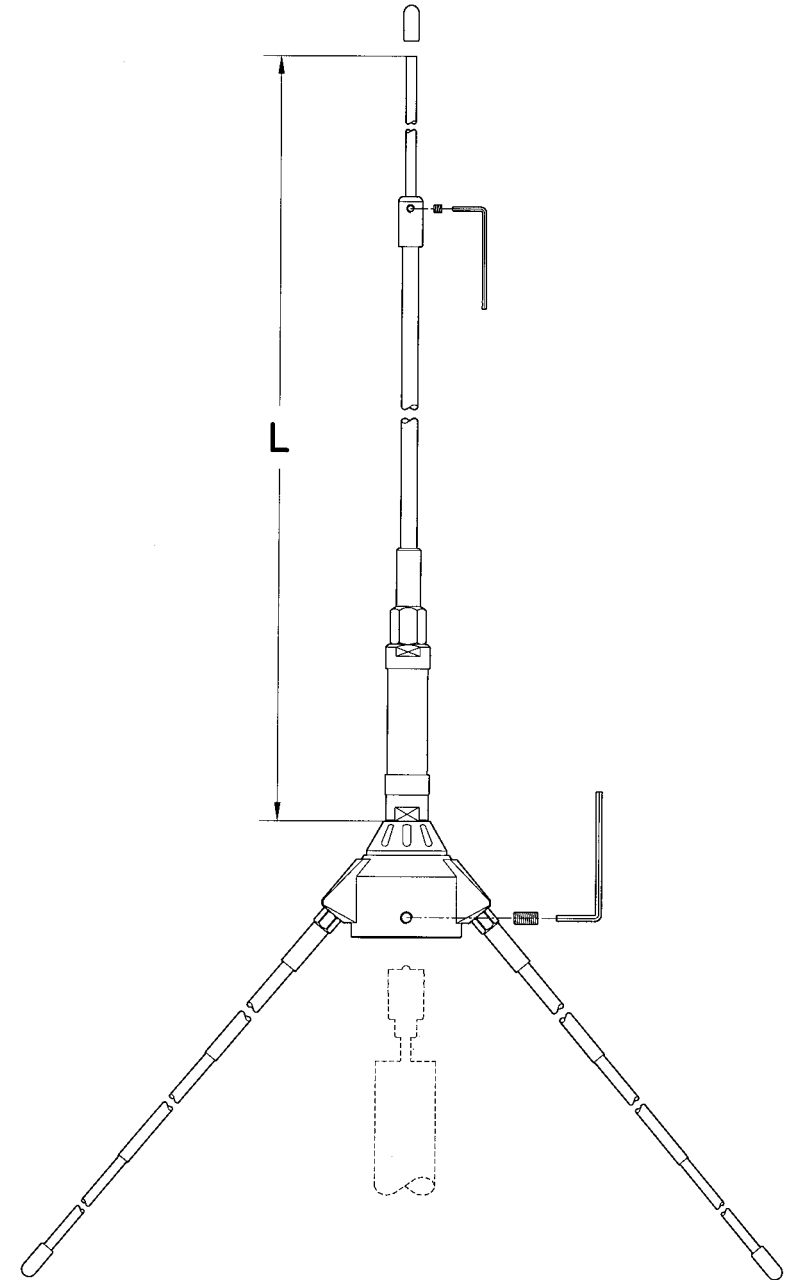
Electrical Data

Type	:	1/4 λ Base Loaded Ground Plane
Frequency Range	:	26-28 MHz
Impedance	:	50 Ω
Radiation	:	Omnidirectional
Polarization	:	Linear Vertical
Gain	:	0 dBd - 2.14 dBi
Bandwidth @ SWR \leq 2	:	\geq 850 KHz
SWR. @ res. freq.	:	\leq 1.2
Max Power	:	100 Watts (CW) continuous, 300 Watts (CW) short time
Feed System / Position	:	Direct / Center
Connection	:	UHF Female

Mechanical Data

Materials	:	Aluminium, Chromed Brass, Nylon, Stainless Steel
Wind Load / Resistance	:	36 N at 150 Km/h / 130 Km/h
Wind Surface	:	0.03 m ²
Height (approx.)	:	2370 mm
Weight (approx.)	:	640 gr
Radial Length (approx)	:	640 mm
Mounting Mast	:	\varnothing 35-40 mm

MOUNTING INSTRUCTIONS



L = 1870 mm; use this length as a guide and a SWR-meter for fine tuning.