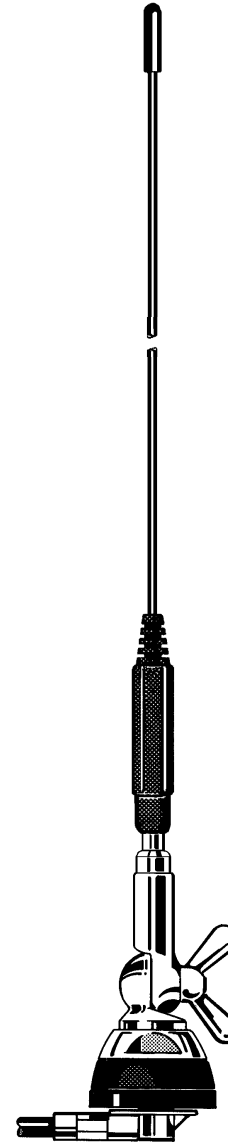


## SDB 270

Dual Band Mobile Antenna 145-435 MHz

### MAIN FEATURES

- Dual-band Mobile antenna
- 17/7 PH Tapered stainless steel whip
- 180° inclination and adjustable whip, detachable for car-washes access



*Installation Manual*

## SPECIFICATIONS

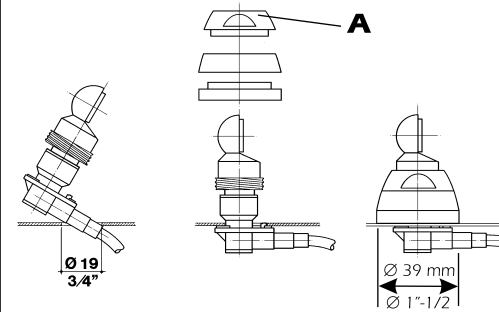
Electrical Data	
Type	VHF: $1/4 \lambda$ ; UHF: $3/4 \lambda$
Frequency Range	VHF 137 - 152 MHz
@ SWR $\leq 2$	UHF 414 - 455 MHz
Impedance	50 $\Omega$
Radiation	360° Omnidirectional
Polarization	Linear Vertical
Gain	0 dB ref. to a $\lambda/4$ whip
Max Power (CW) @ 30°C	100 Watts
Standard Mount	"SL" type, cable 5m RG 58

### Mechanical Data

Materials	Stainless Steel 17/7 PH, Nylon, Chromed Brass
Height (approx.)	535 mm
Weight (approx.)	360 gr
Mounting hole	$\varnothing$ 19 mm

## MOUNT INSTALLATIONS

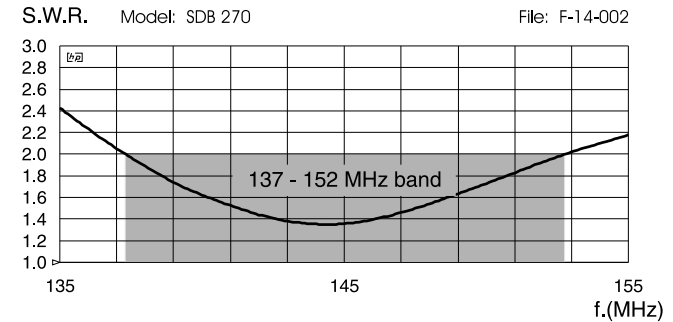
### "SL" Mount



**REMARK:** Be careful during installation do not use too much strenght but tighten the metal ring **A** by means of the suitable tool.  
**TIGHTENING TORQUE: 4 Nm  $\pm$  10%**

**ATTENZIONE:** Porre attenzione durante l'installazione. Non serrare con troppa forza ma avvitare l'anello metallico **A** utilizzando la chiave adeguata. **COPPIA DI SERRAGGIO: 4 Nm  $\pm$  10%**

### TYPICAL S.W.R. RESPONSE



### TYPICAL S.W.R. RESPONSE

